

VISION·3

LIGHTING

Machined Round Canopy **MODEL MO16**

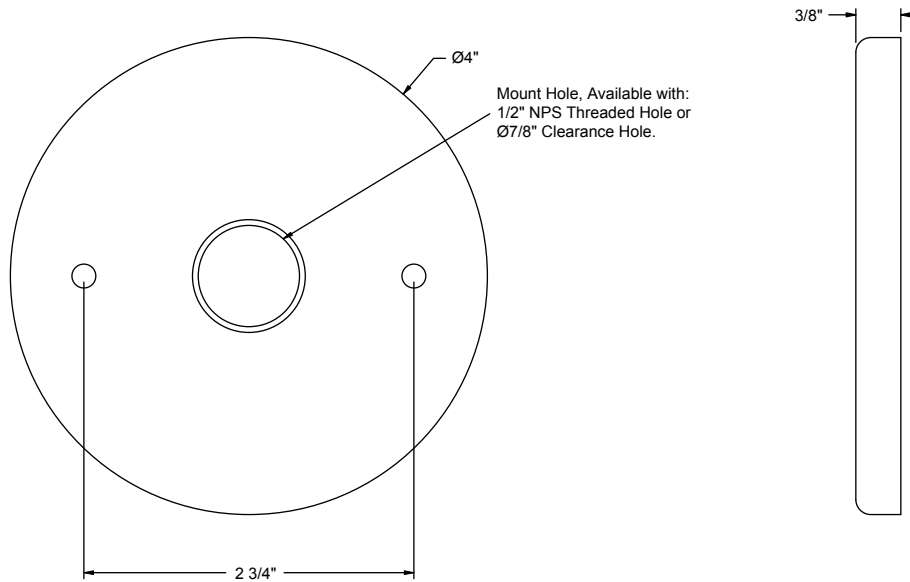
Specifications:

Canopy: Machined 6061-T6 aluminum, C36000 brass, or 304 stainless steel.

Fixture Mount: Available with 1/2" NPS threaded or Ø7/8" non-threaded fixture mount hole. O-ring groove allows for sealing between fixture and mounting canopy (All Vision3 flood fixtures come with a high temperature, black Viton O-ring on the knuckle for this purpose).

Mounting: Two mounting holes, 2 3/4" on center, for mounting machined round canopy to industry standard round and octagonal 3/0 outlet boxes (hardware and gaskets not supplied).

Finish: TGIC thermo set polyester powder coat paint available in 14 standard colors. On aluminum model, finish is applied over a corrosion resistant, hexavalent chromium free, RoHS compliant coating. Aluminum model available in one additional metal finish: Clear Anodized. Brass model available in three additional metal finishes: Natural, Polished, and Aged. Stainless steel model available in three additional metal finishes: Natural, Polished, and Brushed.



Ordering Information:

Model	Finish	Mount Hole
MO16A - Aluminum	BL - Black	S0 - Threaded Mount Hole
MO16B - Brass	BLT - Textured Black	S1 - Non-Threaded Mount Hole
MO16S - Stainless ¹	BN - Bronze	
	BNT - Textured Bronze	
	BAT - Textured Bark	
	WI - White	
	GRT - Textured Green	
	SI - Silver	
	GY - Grey	
	BE - Beige	
	GNT - Textured Granite	
	SAT - Textured Sand	
	PAT - Textured Patina	
	EAT - Textured Earth	
	CLA - Clear Anodized (MO16A only)	
	NAT - Natural (MO16B & MO16S only)	
	POL - Polished (MO16B & MO16S only)	
	AGE - Aged (MO16B only)	
	BRU - Brushed (MO16S only)	

Notes:

1. Model MO16S available as a special order. Contact your Vision3 Lighting CSR.
2. Specifications, certifications, and ordering information are subject to change. Please check website for latest specification sheets.

Example: **MO16B - AGE - S1**